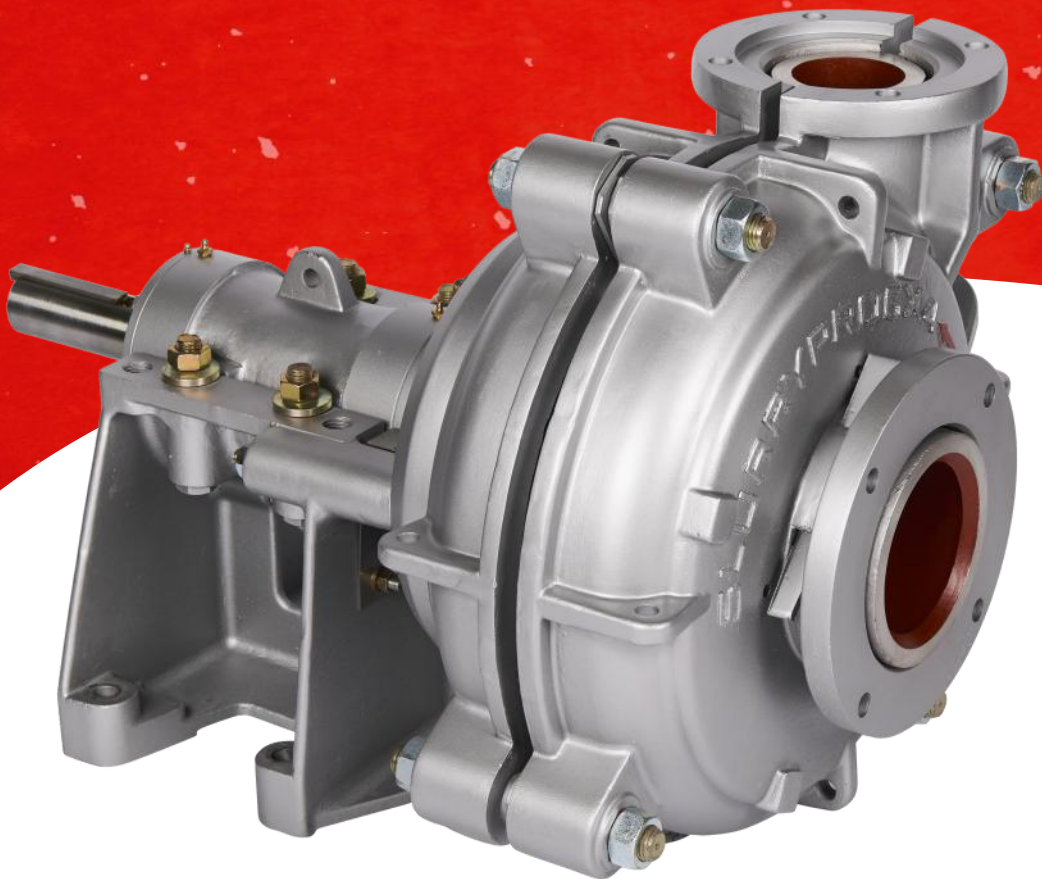




SS6x4-200020

SLURRYPRO[®]

A BETTER SLURRY PUMP EXPERIENCE

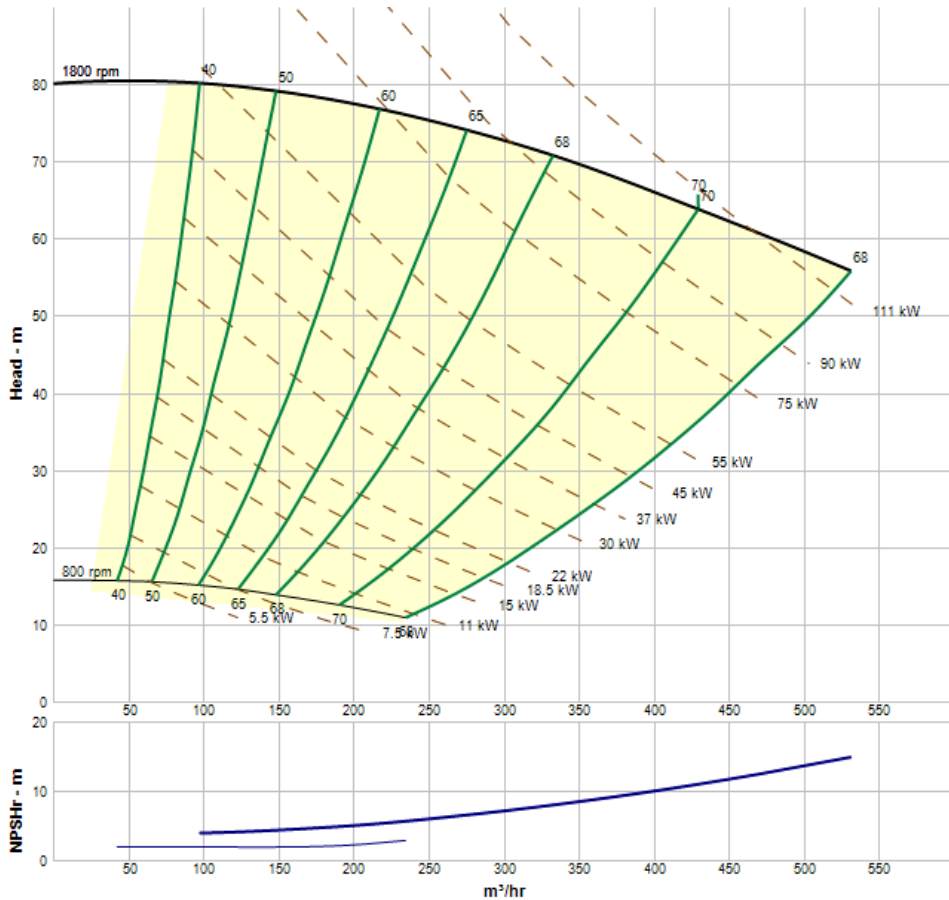


slurrypro.com

SS6x4-200020

SlurryPro Silver Series 6x4 centrifugal slurry pump. Featuring a standard expeller, heavy duty SKF bearing, high chrome impeller, high chrome liner and a maximum motor power of 60kW.

Performance



Specification

Suction	152mm (6")
Discharge	101mm (4")
Maximum RPM	1800
Sealing System	Standard Expeller
Liner Material	High Chrome
Impeller Material	High Chrome
Throat Bush	High Chrome
Max Motor Power	60kW
Weight-Bare Shaft Pump	670kg

About SlurryPro

SlurryPro originated from a firm belief that your slurry pump experience could and should be better. In response to industry feedback and frustration with service and response times, SlurryPro Pumps has introduced a customer-centric focus and revolutionized the end-user experience.

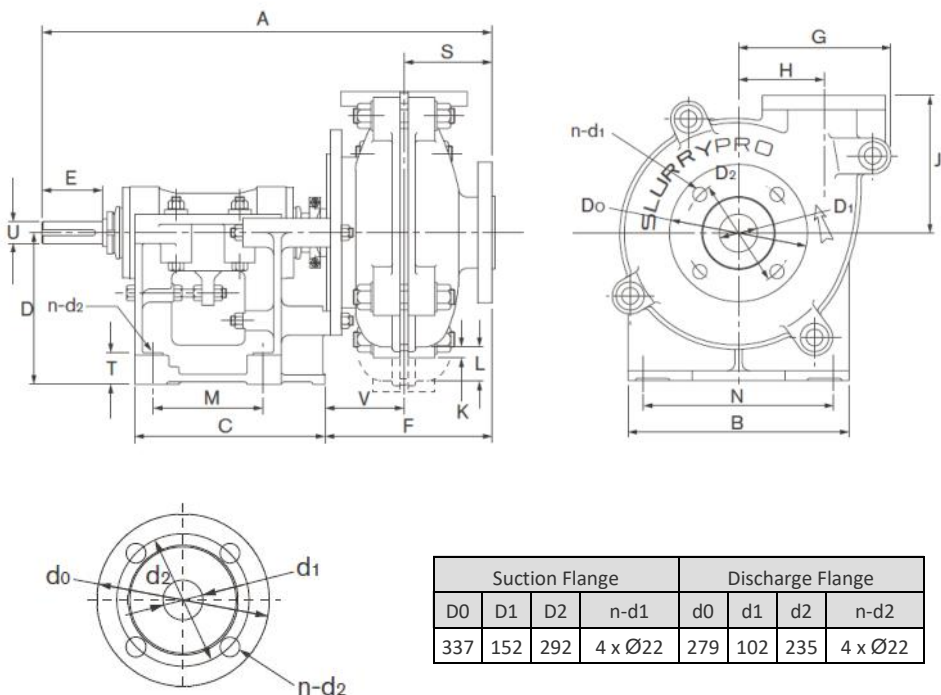
The core management team bring years of experience from the Australian and South American mining industry. This tough and unforgiving environment was the perfect birth place for a range of pumps focusing on superior wear life and reduced lifetime costs. We focus on the vital need to reduce downtime in our key markets of mining, chemicals and mineral processing.

Our range includes horizontal and vertical centrifugal slurry pumps, all designed for use in the heaviest duty applications such as mill discharge, process plant and tailings applications. They are also widely used in sand washing and recycling applications, as well as specialist areas such as difficult food washing and other abrasive processes.

We understand that reducing downtime relies on rapid and cost effective parts availability. With this in mind, we have invested heavily in stock within our distribution companies, leading to the fastest quoting and delivery times in the industry.

In short, if you're looking for a better slurry pump experience, including superior wear life, reduced lifetime cost and ease of ongoing maintenance there is quite simply no alternative to SlurryPro.

Dimensions



Suction Flange				Discharge Flange			
D0	D1	D2	n-d1	d0	d1	d2	n-d2
337	152	292	4 x Ø22	279	102	235	4 x Ø22

SLURRYPRO®

A BETTER SLURRY PUMP EXPERIENCE

e: info@intraxglobal.com
t: +44 (0)114 229 3144

Size	A	B	C	D	U	E	F	G	H	J	K	L	M	N	V	T	S
SS6x4-200020	1021	492	364	330	65	164	421	406	229	338	11	-	213	432	200	64	219

Please note that the information featured on this data sheet is for guidance/reference only. For application specific drawings and curves, contact your nearest authorised distributor. SlurryPro is part of the Intrax Global Group. 030818.