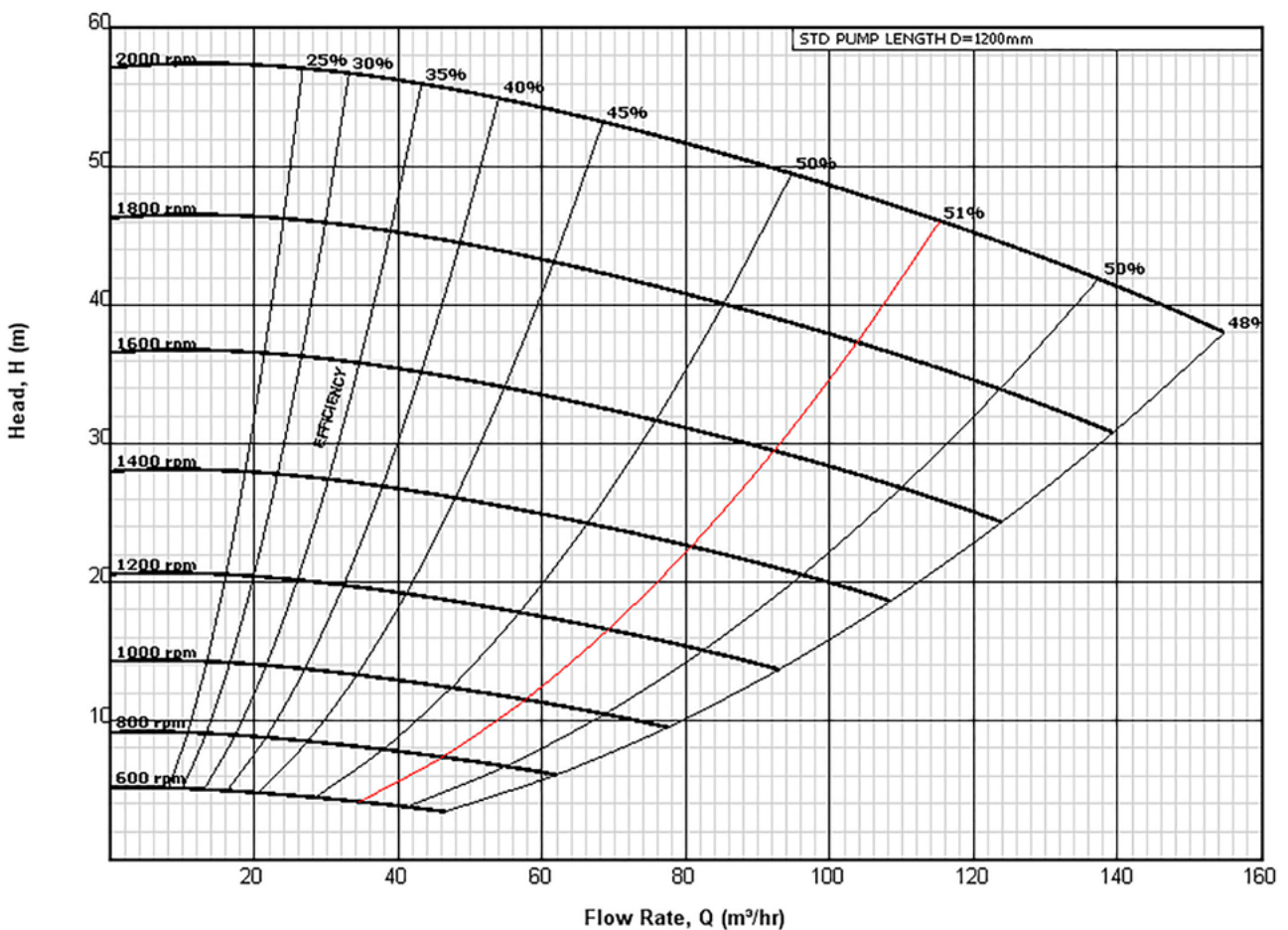


Standard Series SV25-900007

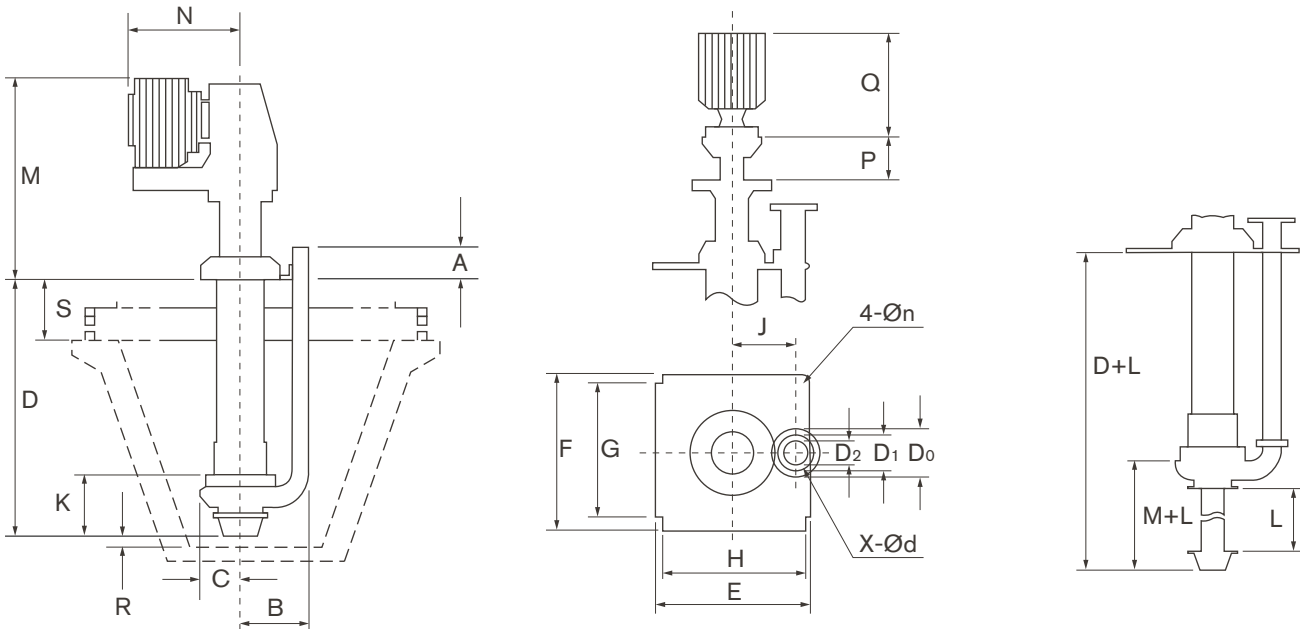


Suction	N/A
Discharge	65 mm (2.5")
Maximum RPM	2000
Sealing system	N/A
Impeller material	High chrome
Liner material	High chrome
Throat bush	N/A
Maximum motor power	30 kW
Weight-Bare shaft pump	350 kg



NOTE This information is for guidance/reference only. For application specific drawings and curves, please contact your nearest authorised distributor at slurrypro.com

Standard Series SV25-900007



PUMP		A	B	C	D		E	F	G	H	J	Øn	K	M	N	P	Q	PUMP WEIGHT (kg)	S	DISCHARGE FLANGE SIZE				
TYPE	FRAME				STANDARD COLUMN	OPTIONAL COLUMN														ØD0	ØD2	ØD1	X-Ød	
SV15	PV	137	285	153	900	1200	1800	500	500	450	450	205	18	174	1113	675	248	629	285	280	127	40	98	4-Ø16
SV15R		140	265	175		2000	2500																	
SV25	QV	227	399	231	1200	1200	1500	680	680	620	620	285	18	265	1390	794	290	681	432	350	178	65	140	4-Ø19
SV25R		230	380	260		2800	1396																	
SV40	RV	265	538	317	1500	1200	1800	1000	870	800	930	400	22	393	1803	1020	416	960	867	350	229	100	191	8-Ø19
SV40R		266	435	332		2000	2400																	
SV60	SV	390	670	365	1800	1500	2100	1100	1100	1030	1030	500	28	475	2186	1200	476	1011	1737	350	280	150	241	8-Ø22
SV60R		395	670	400		2800	3200																	
SV80	SV	450	805	440	1800	1500	2100	1300	1200	1100	1200	600	28	550	2191	1300	476	1011	2800	350	343	200	298	8-Ø22
SV80R						2800	3200																	
SV100	TV	500	500	470	2100	1800	2400	1750	1450	1350	1650	700	48	685	2572	1750	561	1246	3700	400	406	250	362	12-Ø25
SV100R						2800	3200																	
SV120	TV	500	1170	559	2100	1800	2400	1750	1450	1350	1650	700	48	700	2476	1750	561	1246	400	483	300	432	12-Ø25	
SV120R		400	1090	630		2800	3200																	2832

NOTE: L size: 300, 600, 900, 1200, 1800 R dimension range: 50-300 mm

*All dimensions (mm) **Dimensions subject to change without notice

NOTE This information is for guidance/reference only. For application specific drawings and curves, please contact your nearest authorised distributor at slurrypro.com